

Basler A200 Series



**Digital CCD Area Scan
Monochrome
Camera Link® Output
Up to 48 ps at
one Megapixel**

Description

The A200 Series of high-performance, digital cameras is ideal for a variety of industrial applications. The cameras can be triggered via an external sync signal or run in an internally controlled „free-run“ mode. A200 cameras operate with a single voltage power supply and have the advantages of the remarkably simple cabling requirements outlined in the Camera Link standard. A combination of features such as digital shift, test images, and indicator LEDs, ensure that these versatile cameras provide an exceptional price/performance ratio. To have a better adaption to the appropriate application, the A202k is available with two gain setting variants.

The A200 series cameras are ideal for applications like: Semiconductor and component inspection, manufacturing quality control, traffic control, food and beverage inspection, microscopy and medical imaging and many other vision applications.

Basler Camera Test Tool



To ensure consistently high product quality, we employ several quality inspection procedures during manufacturing. Basler customers get a 100% tested camera, all of the benefits that go along with 100% testing, and a much higher level of satisfaction. This is a definite win-win situation.

Your benefits include:

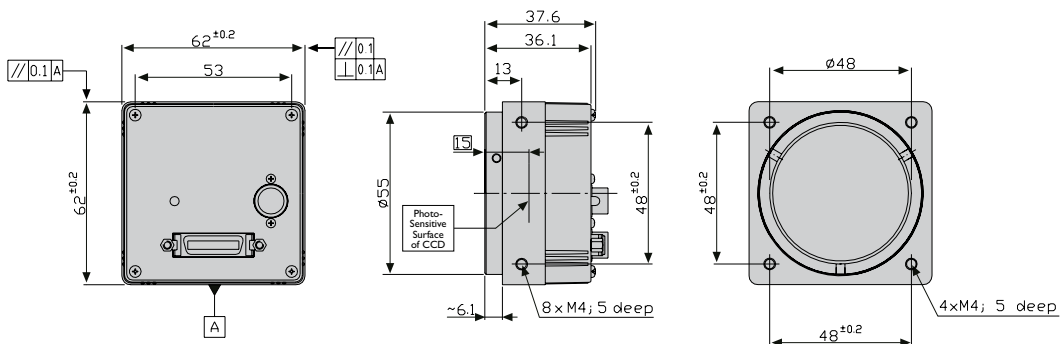
- Superior image quality improves your image processing results
- Super compact size reduces the space needed in your installation
- 100% factory testing ensures consistent product quality
- LED indicators and test image generation capability reduce your integration time and aid troubleshooting
- Area of Interest (AOI) scanning allows higher frame rates
- Windows® setup tool lets you configure your camera with ease
- Electronic exposure time control provides maximum flexibility

Specifications

Basler A200 Series	A201b/bc	A202k	A202k high gain
Camera			
Resolution	1008 x 1018	1004 x 1004	1004 x 1004
Sensor Type	Progressive Scan CCD		
Pixel Size (µm)	9.0 x 9.0	7.4 x 7.4	7.4 x 7.4
Camera Link Clock	42 MHz with single output 21 MHz with dual output	40 MHz	36 MHz
Gain	0-40 dB	0-12 dB	0-28 dB
Frame Rate at Full Resolution	30 fps	48 fps	43.2 fps
Mono/Color	Color or Mono	Mono	Mono
Video Output Type	Channel Link	Camera Link (Base)	Camera Link (Base)
Video Output Format	Single or Dual Pixel 8 or 10 bits	Dual Pixel 8 or 10 bits	Dual Pixel 8 or 10 bits
Synchronization	Via external trigger or free run		
Exposure Control	Level-controlled or programmable		
Mechanical / Electrical			
Housing Size (L x W x H)	37.6 mm x 62 mm x 62 mm		
Weight	Max. 265 g	Max. 290 g	Max. 290 g
Power Requirements	12 VDC (±10%), max. 8.0 W	12 VDC (±10%), max. 5.5 W	12 VDC (±10%), max. 5.5 W
Mount-Type	C-mount or F-mount		
Conformity	CE, FCC		

Specifications are subject to change without prior notice

Dimensions (in mm)



Germany, Headquarters
Fon +49 4102 463 500
Fax +49 4102 463 599
vc.sales.europe@baslerweb.com

USA
Fon +1 610 280 0171
Fax +1 610 280 7608
vc.sales.usa@baslerweb.com

Singapore
Fon +65 6425 0472
Fax +65 6425 0473
vc.sales.asia@baslerweb.com