

CHEETAH

RUGGEDIZED CAMERA SERIES

C4080 CMOS 12 MP CoaXPress (CXP)



Imperx: C4080

The C4080 incorporates the ON Semiconductor KAC-12040 CMOS image sensor with a native resolution of 4000 x 3000 in a 4/3" optical format. The GenICam™ compliant camera delivers up to 70 frames per second in either global or rolling shutter mode with CoaXPress (CXP). Extended dynamic range technology coupled with extremely robust blooming suppression produce clean imagery in even the most severe uncontrolled lighting applications. Additionally, Cheetah cameras incorporate "smart" wide dynamic range technology that monitors each pixel's exposure and sets the exposure to one of four user selectable values based on the intensity of the source at the pixel. CMOS technology eliminates smear columns from areas of ultra-bright intensity and specular reflections in uncontrolled lighting applications.

Specifications

Feature	Description	Feature	Description
Interfaces available	CoaXPress® (CXP), USB3, Camera Link® Full (CLF)	Strobe Output	2 strobes, programmable position and duration
Resolution	4000 x 3000	Pulse Generator	Yes, programmable
Sensor	KAC-12040, CMOS Color/Mono	Image Enhancement	Vertical/Horizontal flip. Two 12-bit LUT: 1 LUT Pre-programmed with Gamma 0.45
Sensor Format	18.8 mm (H) x 14.1 mm (V) 23.5 mm diagonal 4/3" optical format	Data Corrections	Defective/hot pixel correction (static, dynamic)
Pixel Size	4.7 µm	Lens Mount	F-Mount (default), C, M42, EF Canon (Passive. Active not supported)
NIR Sensitivity	850nm: 15%, 950nm: 5%	Supply Voltage Range	24V CoaXPress power over cable without enabled Canon controller 24V CoaXPress power over cable with enabled Canon controller
Shutter	Global shutter (GS), rolling shutter (RS)	Camera Current	Typical: TBD, Maximum: TBD
Digitization	10 or 12 bit	Size - Width/Height/Length	72.0mm (W) x 72.0mm (H) x 34.4mm (L) – Applies to all interfaces
Frame Rate	30 fps (12 bit), 70 fps (10 bit), 70 fps (8 bit)	Weight	TBD
Dynamic Range	73 dB (RS), 56 dB (GS)	Vibration, Shock	TBD
Bit Depth	8, 10, 12 bit	Environmental	-40°C to +85°C Operating, -50°C to +90°C Storage
Analog Gain Control	12-bit: 0-12 dB (16 steps); 8 or 10-bit: 0-18 dB (32 steps)	Humidity	10% to 90% non-condensing
Digital Gain	24 dB (128 steps)	MTBF	>323,000 hours @ 40°C (Telcordia SR-332)
White Balance	Manual, auto, off	Military Standard	MIL-STD-810F
Shutter Speed	1 µs/step, 5 µs to 1.0 sec (GS), 2 µs to 1.0 sec (RS)	Regulatory	FCC Part 15 Class A, CE, RoH
Exposure Control	Off, internal, external.		
Regions of Interest (ROI)	1 ROI		
Averaging Decimation	Not supported		
Sub-sampling Decimation	Not supported		
Trigger Inputs	External, pulse generator, software		
Trigger Options	Edge, debounce		
Trigger Modes	Internal, External, Computer		
Wide Dynamic Range	100dB (typ) GS, up to 3 knee points, piecewise linear		
External Inputs/Outputs	2 IN (OPTO, LVTTTL) / 2 OUT (OPTO, TTL)		

Imperx: C4080 Applications

The C4080 incorporates a number of unique features tailored to reduce system complexity, maximize interface bandwidth, and expand the usable operational range.

Aerospace • Satellites • Surveillance • Military and Non-Military Ground Vehicles • Ball Grid Array • Printed Circuit Board Inspection • Motion Analysis • Broadcast Television • Telepresence • Unmanned Aerial Vehicles • Machine Vision • Reconnaissance • Aerospace • Intelligent Traffic Systems • Aerial Imaging • Open Road Tolling Systems • Situational Awareness

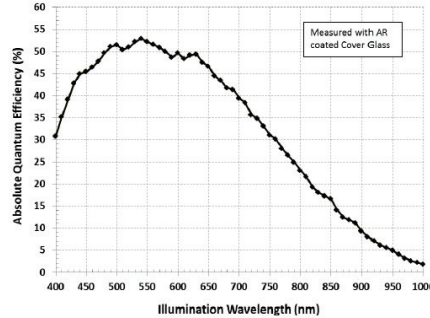
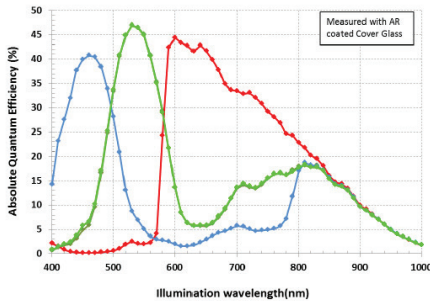
Absolute Quantum Efficiency

Color Spectral Response

KAC-12040

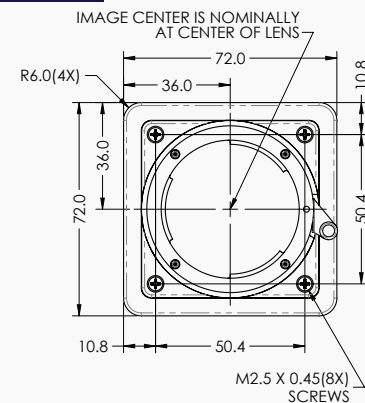
Mono Spectral Response

KAC-12040

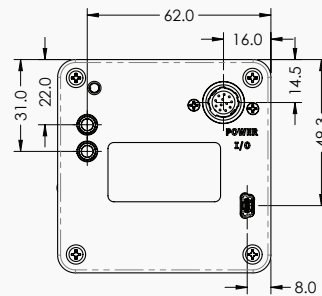


Dimensions

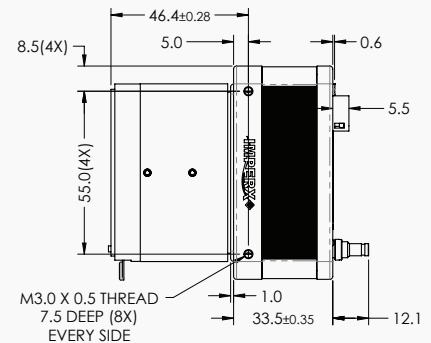
FRONT



BACK



SIDE



Ordering Information

Interface Available

Camera Link® Full (CLF)
USB3 (U3V)
CoaXPress® (CXP)

Sensor Types available

Monochrome
Bayer Color

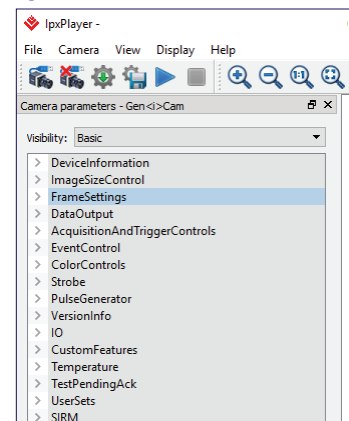
Lens Mounts

F-Mount (Default)
C-Mount
M42
EF

Accessories (Sold separately)

PS12V04A-Power Supply w/ 1 input and 1 output

GenICam Compliant Camera Configurator



Hirose Connectors

Power and I/O Interface



- | | |
|-----------------|--------------------|
| 1. Reserved | 7. OUT1 TTL Signal |
| 2. Reserved | 8. IN1 OPTO + |
| 3. Reserved | 9. IN2 TTL Signal |
| 4. Reserved | 10. IN1 OPTO - |
| 5. OUT2 OPTO - | 11. IN2 TTL Gnd |
| 6. OUT1 TTL Gnd | 12. OUT2 OPTO + |

IMPERX
Industrial Cameras & Imaging Systems

IMPERX 6421 Congress Ave., Boca Raton, FL 33487, USA
Tel: +1-561-989-0006. Email: sales@imperx.com

Quality Management System ISO 9001:2015 Registered
Environmental Management System ISO 14001:2015 Registered
DDTC Registered (Directorate of Defense Trade Controls, US Department of State)

WWW.IMPERX.COM

Technical data has been fully checked, but accuracy of printed matter is not guaranteed. Subject to change without notice. Copyright 2017.